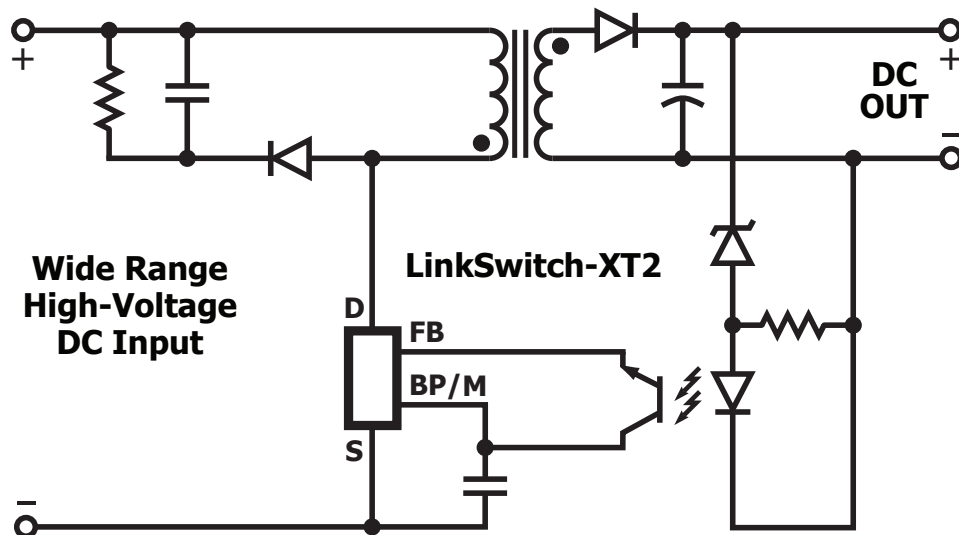


LinkSwitch™-XT2

- Available with 725 V and robust 900 V MOSFETs
- Selectable device current limit
- Fully integrated auto-restart
- Frequency jittering greatly reduces EMI
- Meets high-voltage creepage and clearance

Energy Efficient, Low Power Off-Line Switcher IC



PI-8118-102516

Applications

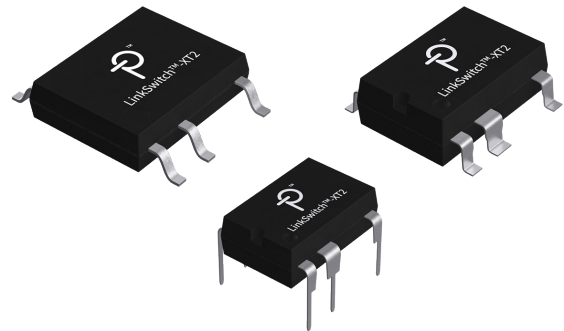
- Appliances
- Industrial systems
- Metering

Output Power

	Peak or Open Frame (W) 725 V MOSFET	
Part Number	230 VAC ±15%	85–265 VAC
LNK3604	9.2	6.1

	Peak or Open Frame (W) 900 V MOSFET	
Part Number	230 VAC ±15%	85–484 VAC
LNK3694*	6	4
LNK3696*	11	8

* Available in PDIP-8C or SO-8C package only.



Package Options:
P: PDIP-8C, G: SMD-8C, D: SO-8C

Design Support

Data Sheet	LinkSwitch-XT2 data sheet (www.power.com/linkswitch-xt2-data-sheet)
Design Example	7 W, wide range input, dual output, nonisolated flyback converter (DER-736)(www.power.com/der-736)
Design Example	2.5 W, universal input, non-isolated flyback converter (DER-578)(www.power.com/der-578)